

DAVIES' PATENT GRAB DREDGER.

FIG. 1

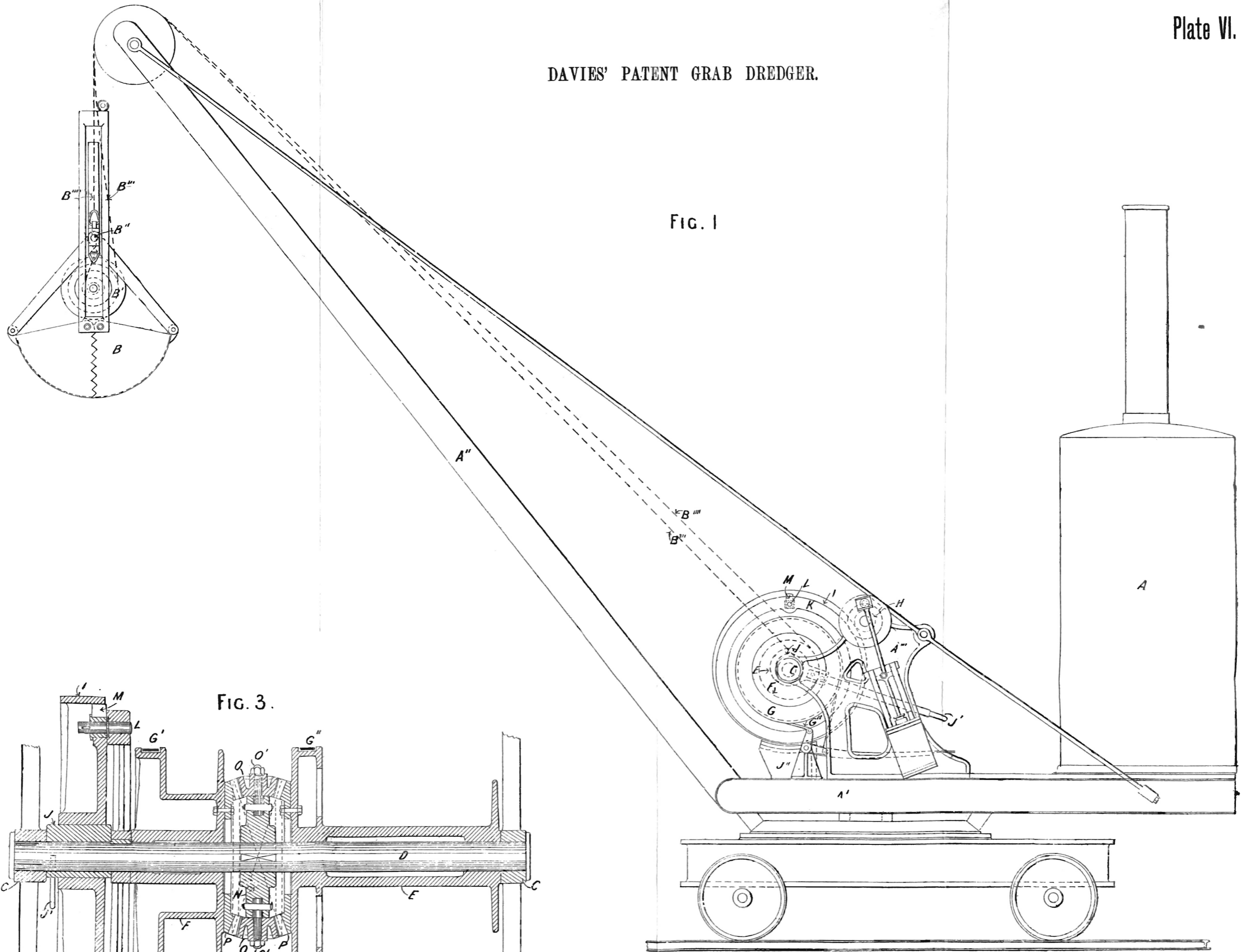


FIG. 3.

