

DAVIES' PATENT GRAB DREDGER.

FIG 4

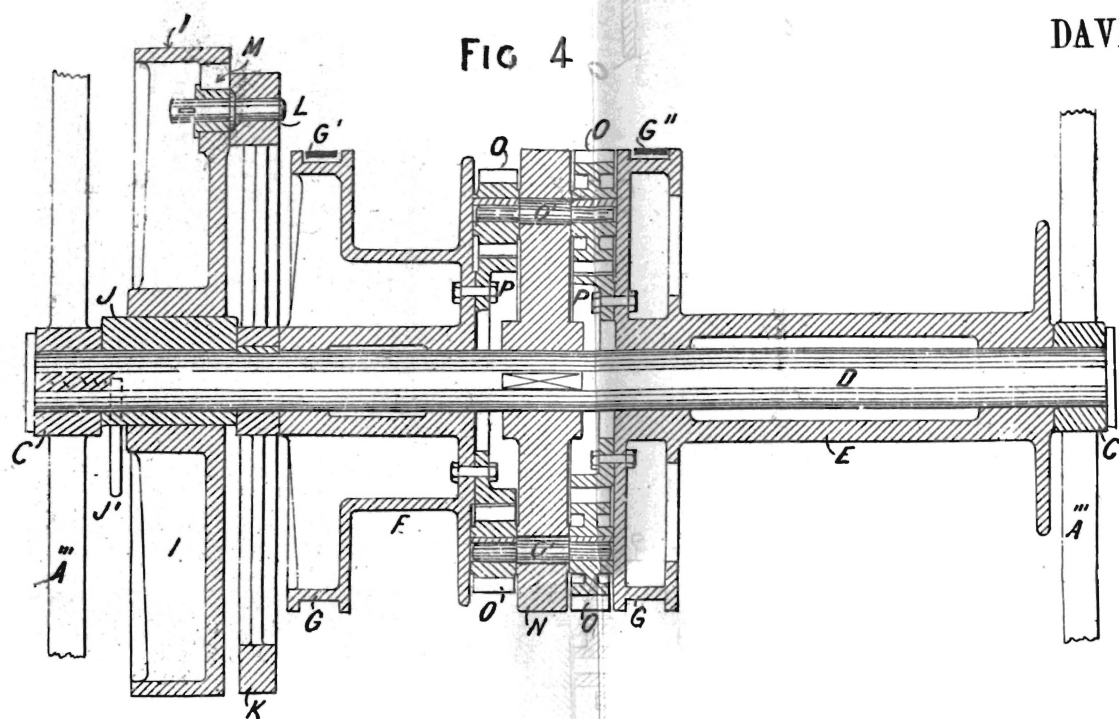


FIG. 5.

