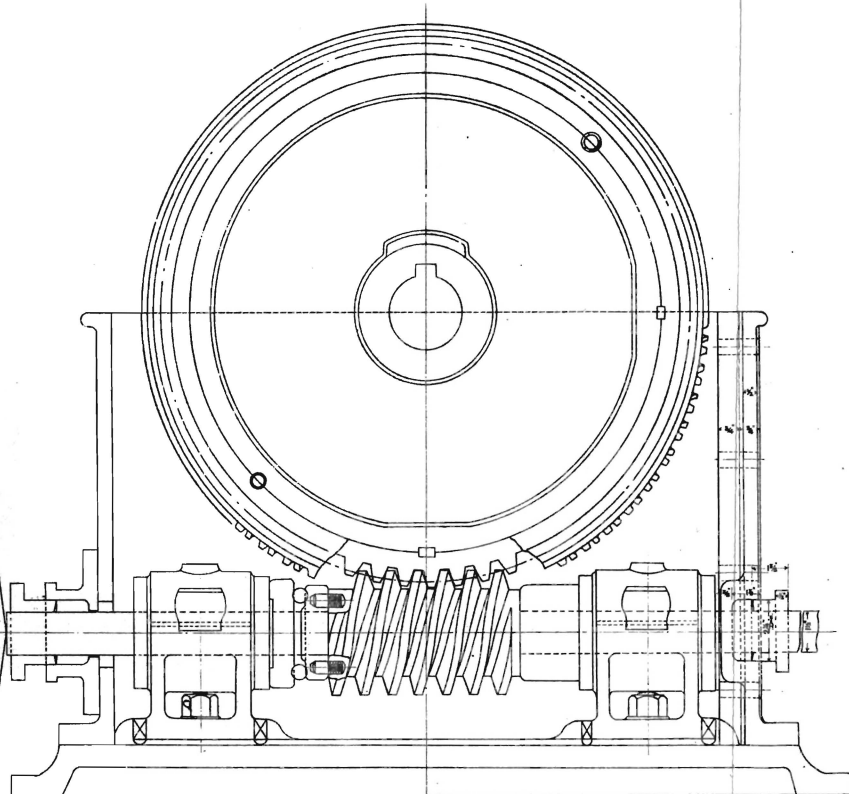
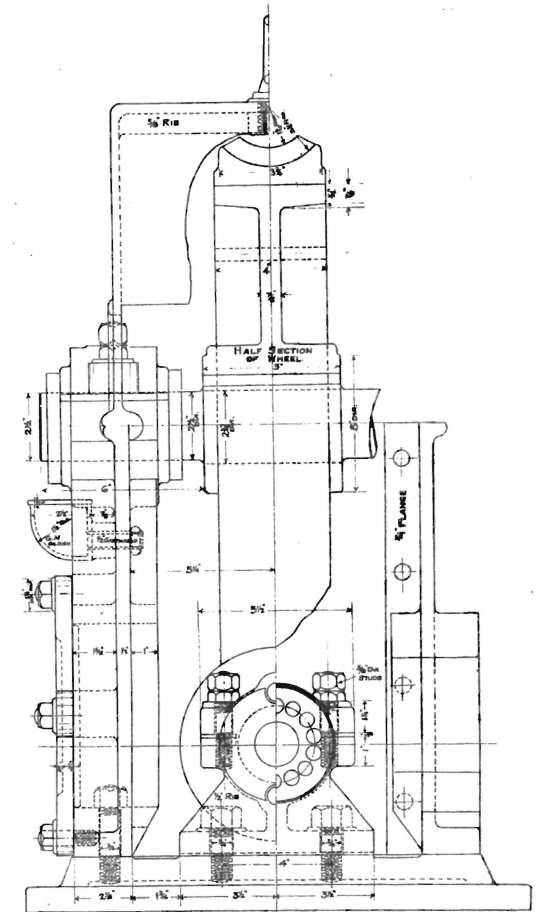


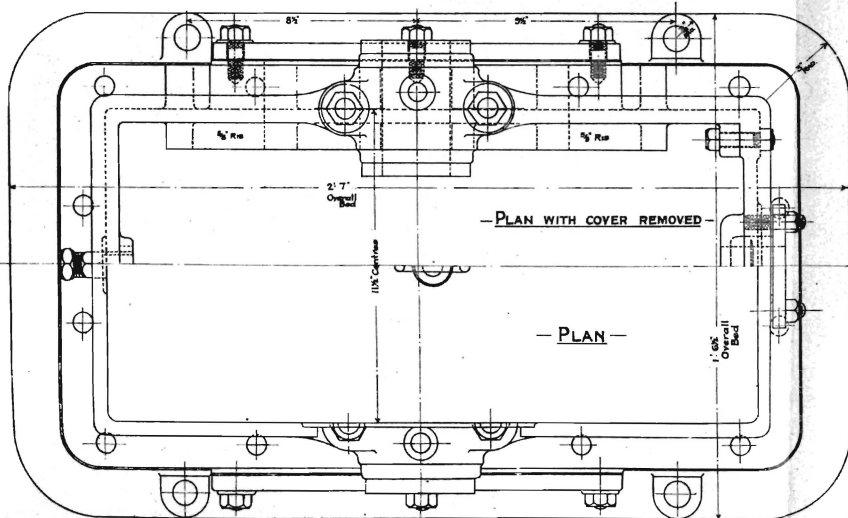
— SIDE ELEVATION —



— SECTIONAL ELEVATION —

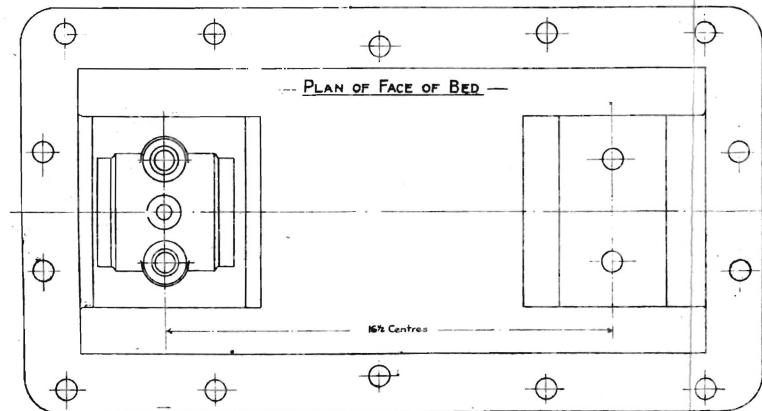


— SECTION A-B — PART SECTION C-D —



— PLAN WITH COVER REMOVED —

— PLAN —



— PLAN OF FACE OF BED —

7 1/2 H.P.

— DETAIL OF 30 1/2 TO 1 REDUCING GEAR. —